

## CANNE SCHIUMA Mod. FI-CS

### FOAM BRANCHPIPE Mod. FI-CS

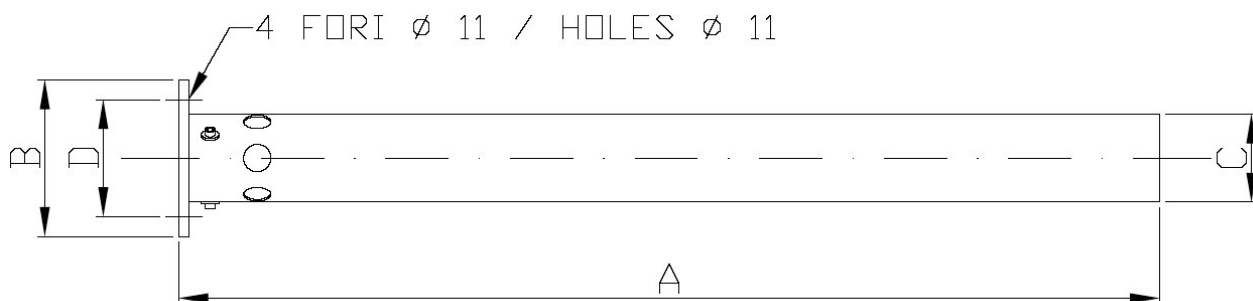


#### CARATTERISTICHE:

- Corpo: in acciaio inox
- Attacco: flangiato
- Ugello: alluminio
- Resa schiuma: 1 ÷ 7

#### CHARACTERISTICS:

- Body: stainless steel
- Connection: flanged
- Nozzle: aluminium alloy
- Expansion: 1 ÷ 7



MODELLO/MODEL	PESO / WEIGHT Kg	A	B	C	D	PORTATA/ CAPACITY LTS/1' A 7 BAR
FI-CS 5	6,0	1.000	160	2"	140	500
FI-CS 10	7,0	1.000	160	3"	140	1.000
FI-CS 15	7,0	1.000	160	3"	140	1.500
FI-CS 20	7,0	1.000	160	3"	140	2.000
FI-CS 25	7,0	1.000	160	3"	140	2.500
FI-CS 30	7,0	1.000	160	3"	140	3.000
FI-CS 35	11,0	1.000	240	4"	210	3.500
FI-CS 40	11,0	1.000	240	4"	210	4.000
FI-CS 45	11,0	1.000	240	4"	210	4.500
FI-CS 50	11,0	1.000	240	4"	210	5.000
FI-CS 60	11,0	1.000	240	5"	210	6.000
FI-CS 70	11,0	1.000	240	5"	210	7.000
FI-CS 80	11,0	1.000	240	5"	210	8.000
FI-CS 100	11,0	1.000	240	5"	210	10.000

MODEL	PRESSURE IN BAR									
	5	6	7	8	9	10	11	12	13	14
	FLOW ( Lts./1' )									
FI-CS 5	500	550	590	635	670	710	740	775	805	-
FI-CS 10	800	900	1000	1100	1150	1200	1250	1300	1370	1420
FI-CS 15	1100	1250	1500	1580	1630	1720	1830	1880	1910	1960
FI-CS 20	1600	1680	2000	2010	2110	2200	2300	2350	2420	2500
FI-CS 25	2000	2250	2500	2560	2620	2780	2810	2920	3000	3060
FI-CS 30	2500	2650	3000	3120	3250	3500	3620	3800	3860	3920
FI-CS 35	2950	3240	3500	3740	3960	4180	4380	4580	4770	4950
FI-CS 40	3300	3600	4000	4150	4250	4460	4880	5000	5120	5300
FI-CS 45	3800	4160	4500	4810	5100	5370	5640	5890	6130	6360
FI-CS 50	4150	4360	5000	5350	5860	6000	6150	6300	6420	6560
FI-CS 60	5070	5550	6000	6415	6800	7170	7520	7850	8170	8480
FI-CS 70	5916	6480	7000	7483	7937	8366	8772	9162	9537	9897
FI-CS 80	6762	7407	8000	8553	9072	9563	10029	10475	10903	11314
FI-CS 100	8452	9259	10000	10692	11340	11953	12537	13094	13629	14143

### Throw Curves

